



**INDIAN SCHOOL AL WADI AL KABIR**

<b>Class: XI</b>	<b>Department: SCIENCE</b>	<b>Date: 22/01/2023</b>
<b>MARKS: 30</b>	<b>UNIT TEST 1 – ANSWER KEY <u>ENGINEERING GRAPHICS (046)</u></b>	<b>DURATION :1 HOUR</b>

**SECTION - A**

**MULTIPLE CHOICE QUESTIONS**

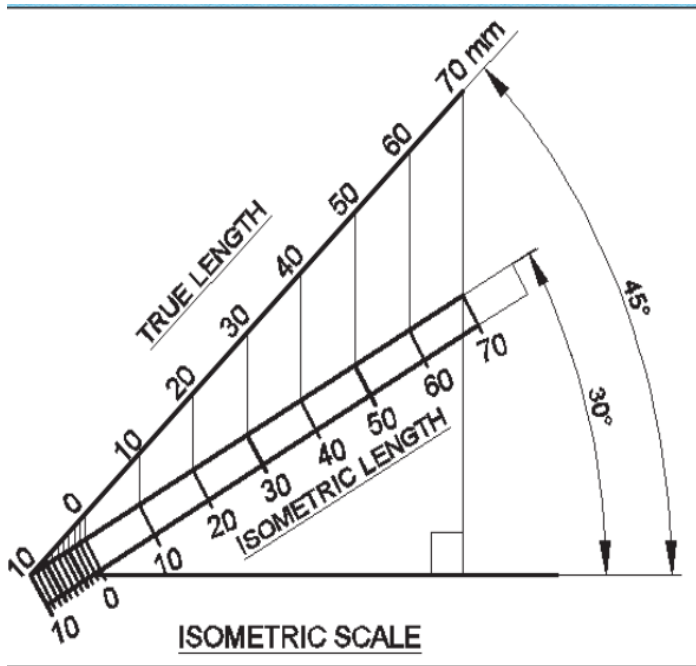
**1 X 10 = 10**

<b>Q.NO</b>	<b>ANSWERS</b>
1	B
2	C
3	A
4	D
5	A
6	C
7	A
8	C
9	A
10	B

**SECTION – B**  
**DESCRIPTIVE TYPE QUESTIONS**

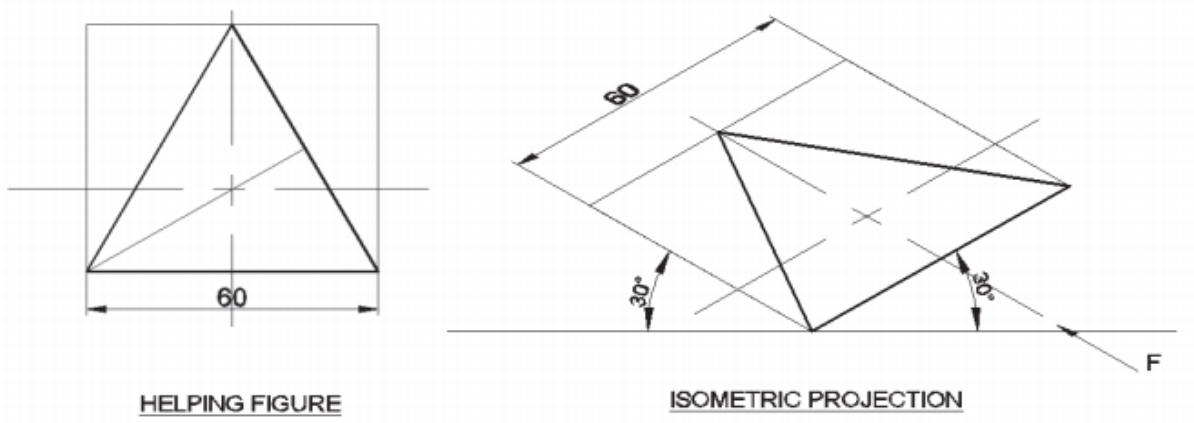
1.

4 X 1 = 4

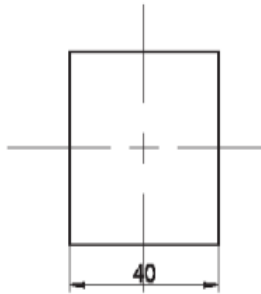


2.

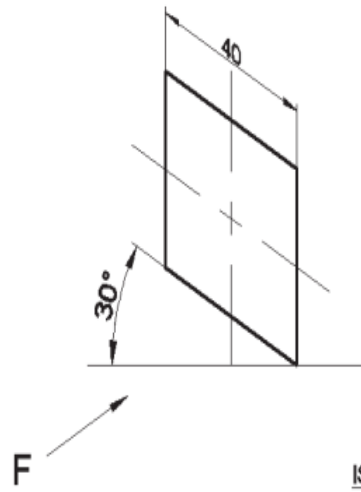
8 X 1 = 8



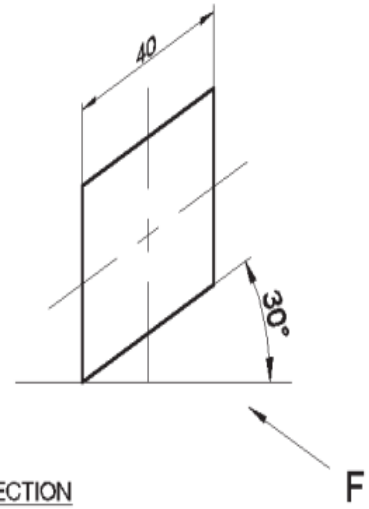
3.



HELPING FIGURE



(OR)



ISOMETRIC PROJECTION

8 X 1 = 8

